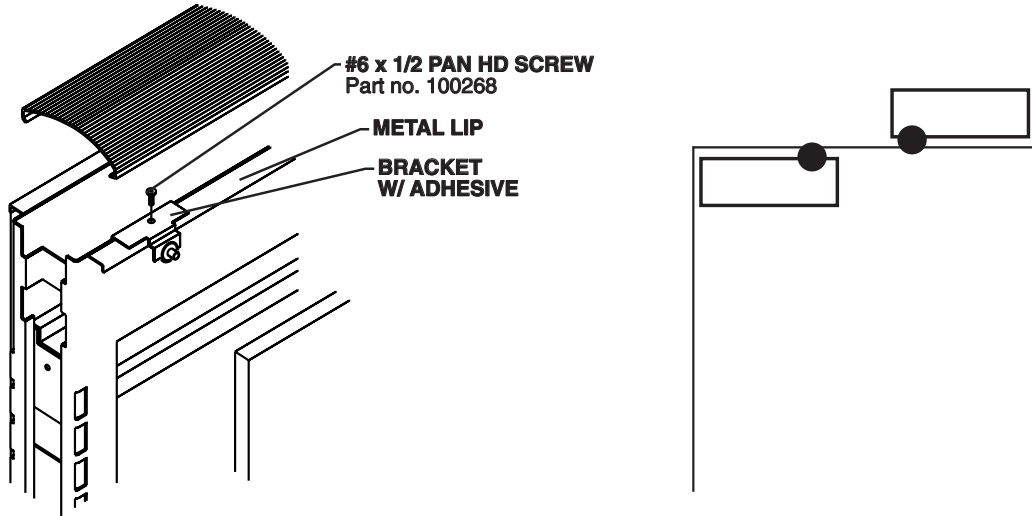


DOT-DASH[®] SIGNAGE / INSTALLATION

TOP OF PANEL MOUNT - KNOLL DIVIDENDS

The top of panel bracket for the dividends panel is hidden from view when installed.

Snap top cap off. Bracket fits over the metal lip that holds the fabric insert. Remove the protective cover of the tape pad under the bracket and press the bracket onto the metal lip. A #6 x 1/2 pan head screw is provided to secure the bracket to the metal lip if needed (use a 1/8" pilot hole). Snap the top on over the bracket.



The back half of the dot is attached to the bracket with a #8-32 x 5/8" flat head screw. A 3/32" allen wrench (provided) is required to loosen or tighten the screw. By rotating the dot with this screw loose, plaque can be positioned as shown above.

The screw holding the back half of the dot to the bracket **must be firmly tightened** to hold the dot and the plaque in desired position.

Hold plaque against shoulder of dot and turn cap and washer tightly against plaque (rubber side of washer against plaque).

