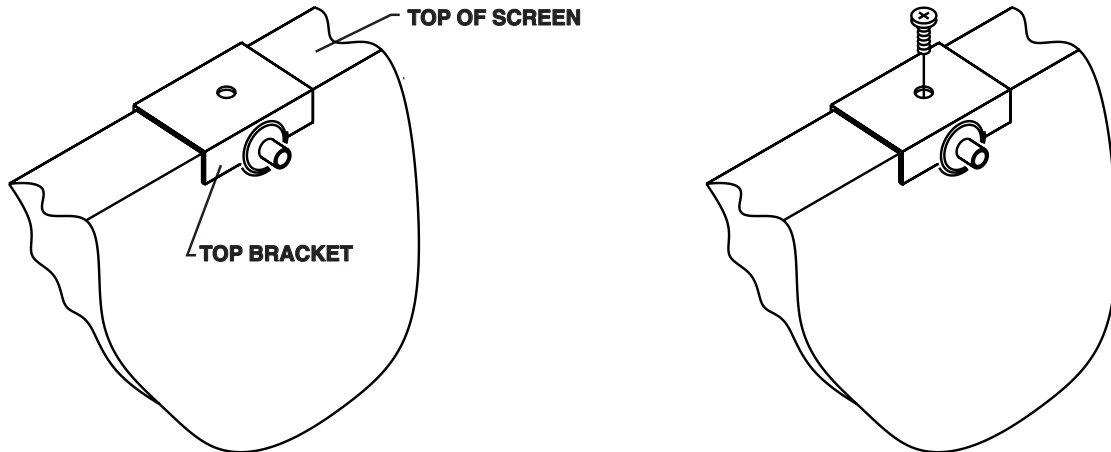
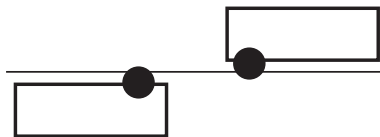


DOT-DASH[®] SIGNAGE / INSTALLATION
TOP OF SCREEN MOUNT - HERMAN MILLER PASSAGE

The bracket is affixed to top of the screen as shown with double-back tape supplied on the bracket. OPTIONAL: #6 X 1/2" black pan head screw is provided for a more permanent application..

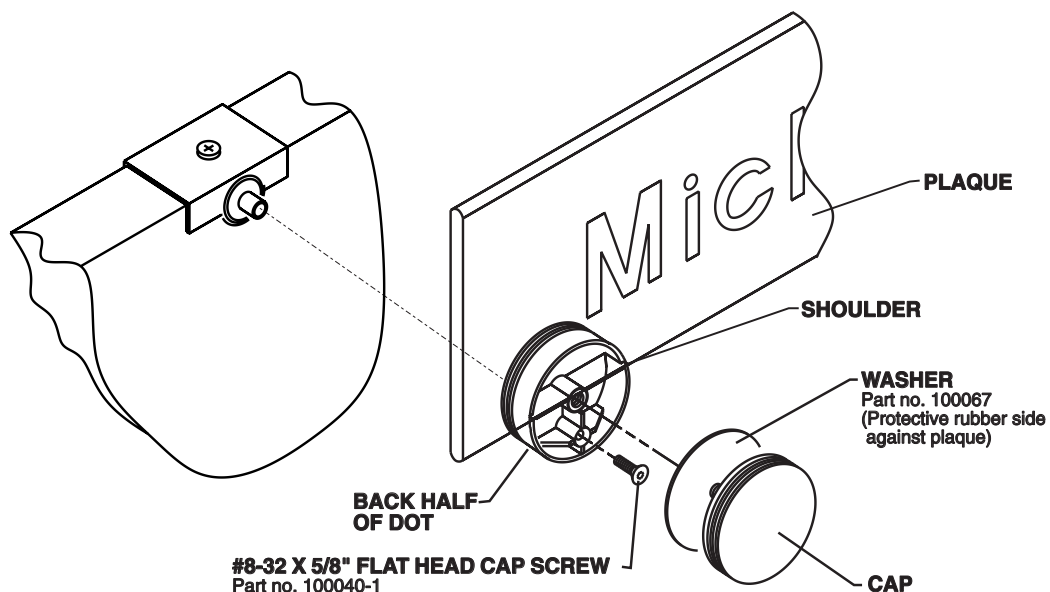


The back half of the dot is attached to the bracket with a #8-32 x 5/8" flat head screw. A 3/32" allen wrench (provided) is required to loosen or tighten the screw. By rotating the dot with this screw loose, plaque can be positioned as shown:



The screw holding the back half of the dot to the bracket **must be firmly tightened** to hold the dot and the plaque in desired position.

Hold plaque against shoulder of dot and turn cap and washer tightly against plaque (rubber side of washer against plaque).



#8-32 X 5/8" FLAT HEAD CAP SCREW
 Part no. 100040-1
 (requires 3/32" allen wrench.)
IMPORTANT: Screw must be firmly tightened
 to hold Dot and Plaque in desired position.