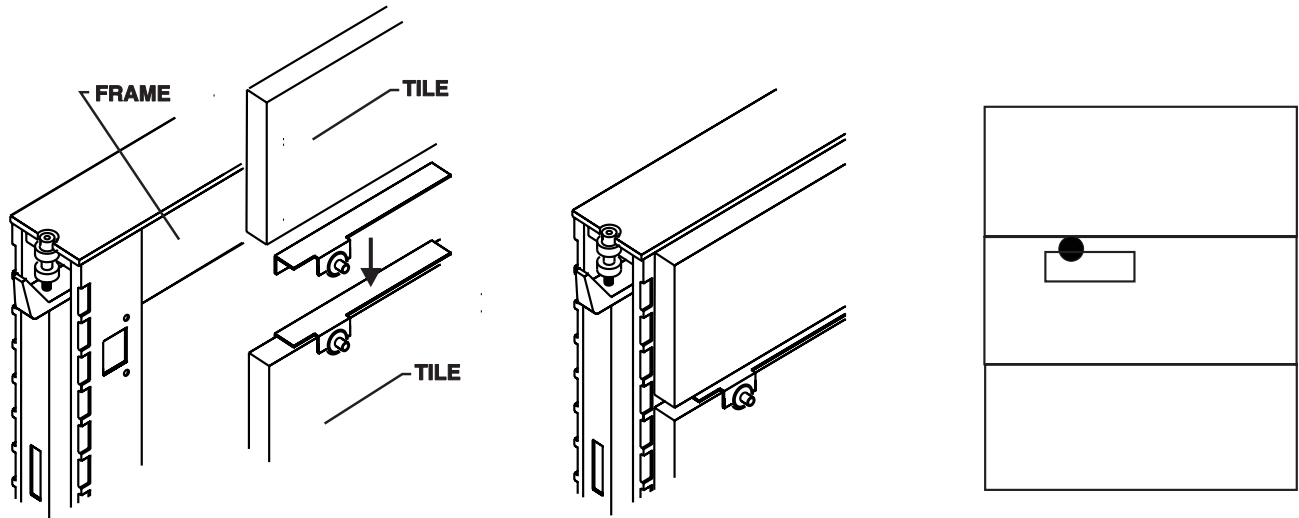


## DOT-DASH<sup>®</sup> SIGNAGE / INSTALLATION TILE MOUNT - ETHOSPACE INTERIORS

The bracket fits over the top of a middle tile between two tiles as shown. It is not recommended for the top tile. The tile must be snapped open to install bracket. This bracket will not work on middle window tiles. After the bracket is installed snap the tile back in place. The tile above the bracket holds the mount in place. The only recommended position for the plaque is below the Dot.



### ADJUSTING THE DOT

The back half of the dot is attached to the bracket with a #8-32 x 5/8" flat head screw. A 3/32" allen wrench (provided) is required to loosen or tighten the screw.

The screw holding the back half of the dot to the bracket **must be firmly tightened** to hold the dot and the plaque in desired position.

Hold plaque against shoulder of dot and turn cap and washer tightly against plaque (rubber side of washer against plaque).

