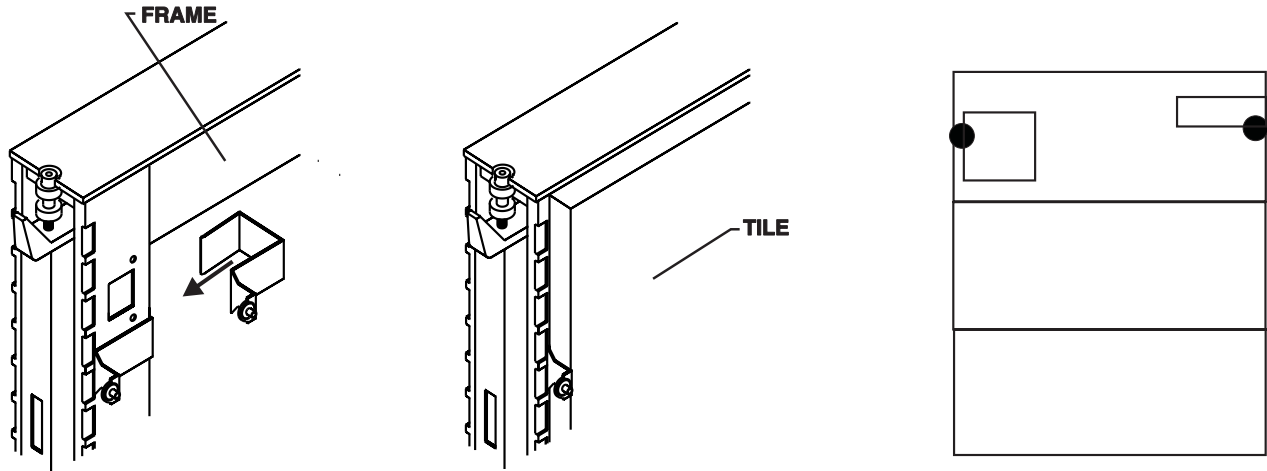


DOT-DASH[®] SIGNAGE / INSTALLATION SIDE OF FRAME MOUNT - ETHOSPACE INTERIORS

The bracket slides around the side member of the frame. The front tile must be snapped open to install bracket. For window tiles both the front and back tiles must be snapped open to install bracket. After the bracket is installed snap the tiles back in place, **NOTE:** The dot is shipped in a position that requires the screw holding back half of dot to the bracket to be loose and the dot turned to close the tile. Once the bracket is installed and the tile snapped back in place, this screw must be tightened again to hold the dot in either the up, down or straight out position (see ADJUSTING THE DOT). The opening in the bracket is set at the factory, if for any reason the bracket seems too loose squeeze the opening by hand and re-install. IF INSTALLING MOUNT WITH RAIL TILES, BRACKET MUST BE INSTALLED IN THE MIDDLE OF THE FRAME OR CALL APPENX FOR INSTRUCTIONS.



ADJUSTING THE DOT

The back half of the dot is attached to the bracket with a #8-32 x 5/8" flat head screw. A 3/32" allen wrench (provided) is required to loosen or tighten the screw. By rotating the dot with this screw loose, plaque can be positioned as shown above.

The screw holding the back half of the dot to the bracket **must be firmly tightened** to hold the dot and the plaque in desired position.

Hold plaque against shoulder of dot and turn cap and washer tightly against plaque (rubber side of washer against plaque).

