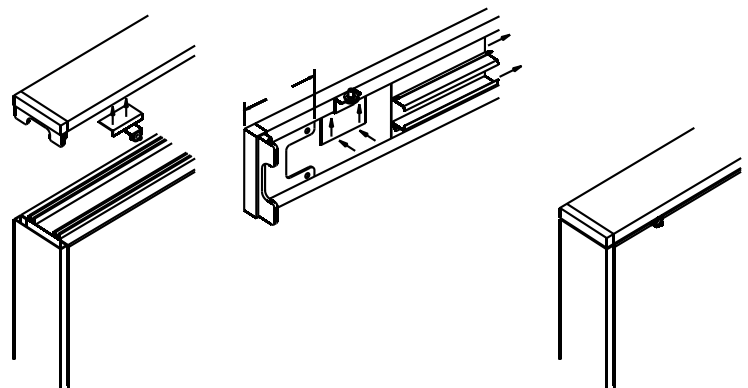
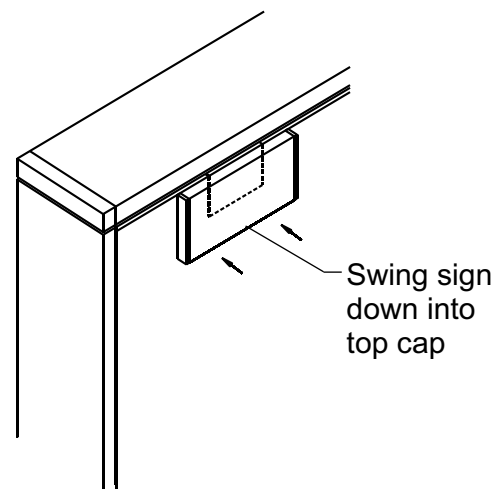
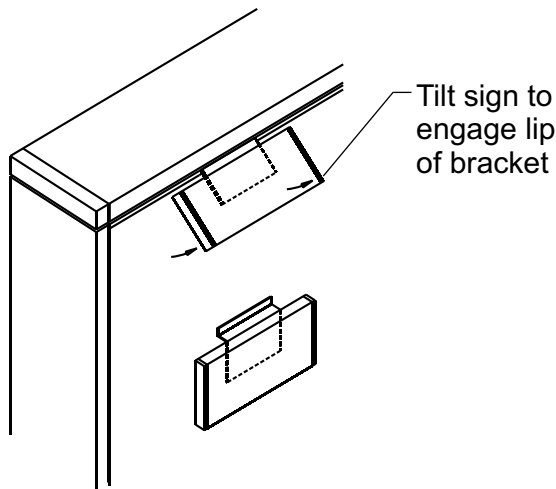




***NO NEED TO REMOVE ANYTHING FROM THE PANEL.....***

***DON'T EVEN NEED TO TOUCH THE PANEL!***

Simply tilt sign with bracket under lip of the panel top cap and swing sign down against the face of the panel



Bracket adheres to the underside of the top cap and the plaque can be positioned above or below the panel height