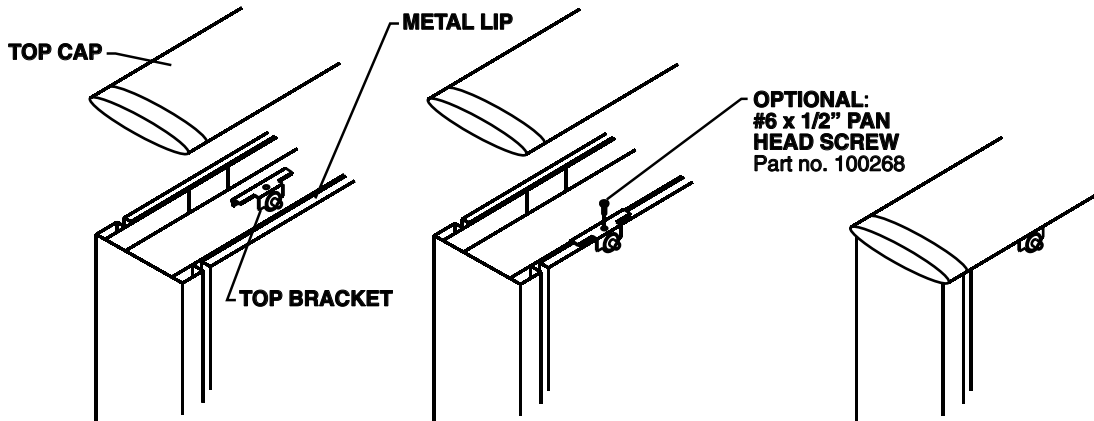
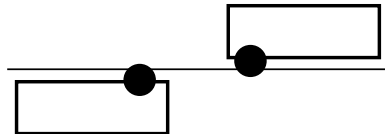


DOT-DASH[®] SIGNAGE / INSTALLATION
TOP OF PANEL MOUNT - STEELCASE ANSWER

With the top cap removed, the bracket is mounted on the metal lip of the panel. The top cap will hold the bracket in place when it's snapped on. **OPTIONAL** (for a more secure installation): Using the pre-drilled hole in the bracket drill a 1/8" hole into the metal strip as shown Use the #6 x 1/2" pan head screw (provided) to secure the bracket to the panel. Snap the top cap back on the panel



The back half of the dot is attached to the bracket with a #8-32 x 5/8" flat head screw. A 3/32" allen wrench (provided) is required to loosen or tighten the screw. By rotating the dot with this screw loose, plaque can be positioned as shown:



The screw holding the back half of the dot to the bracket **must be firmly tightened** to hold the dot and the plaque in desired position.

Hold plaque against shoulder of dot and turn cap and washer tightly against plaque (rubber side of washer against plaque).

