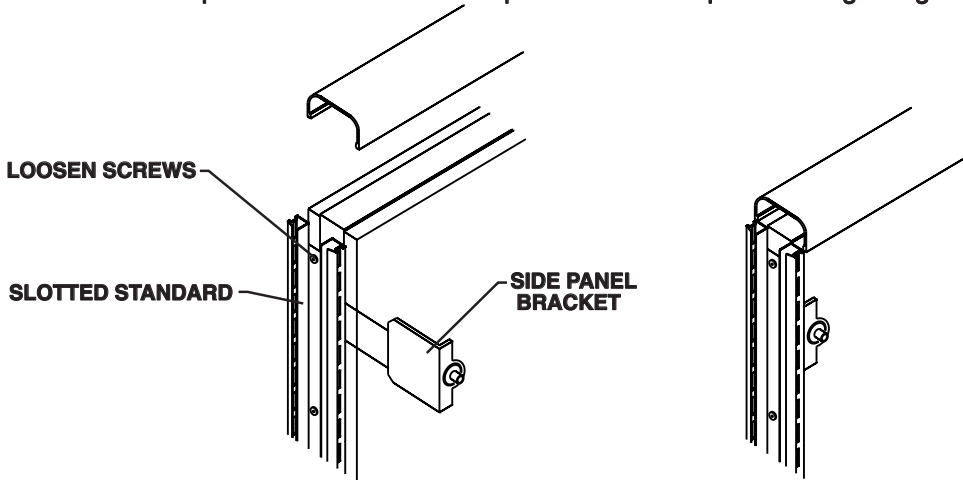


DOT-DASH[®] SIGNAGE / INSTALLATION
SIDE OF PANEL MOUNT - KNOLL EQUITY

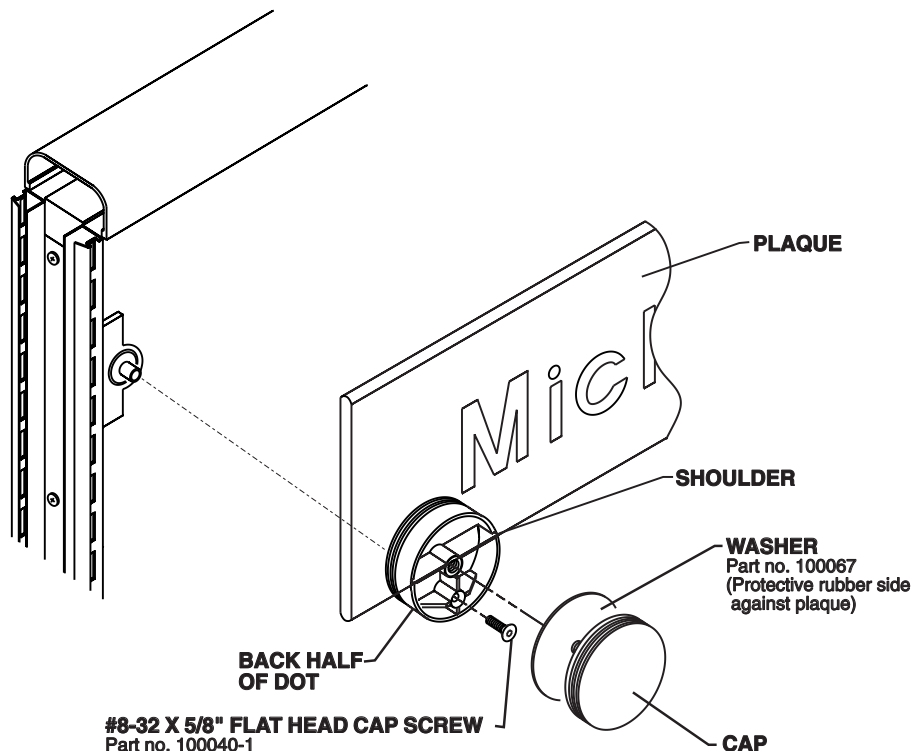
The bracket is installed between the panel and the slotted standard. The top 2 screws fastening the slotted standard to the panel must be loosened to allow the bracket to slide in and stop flush to the face surface of the panel. Tighten these screws back in place once the bracket is positioned at the preferred sign height.



The back half of the dot is attached to the bracket with a #8-32 x 5/8" flat head screw. A 3/32" allen wrench (provided) is required to loosen or tighten the screw. By rotating the dot with this screw loose, plaque can be repositioned:

The screw holding the back half of the dot to the bracket **must be firmly tightened** to hold the dot and the plaque in desired position.

Hold plaque against shoulder of dot and turn cap and washer tightly against plaque (rubber side of washer against plaque).



#8-32 X 5/8" FLAT HEAD CAP SCREW
 Part no. 100040-1
 (requires 3/32" allen wrench.)
IMPORTANT: Screw must be firmly tightened
 to hold Dot and Plaque in desired position.