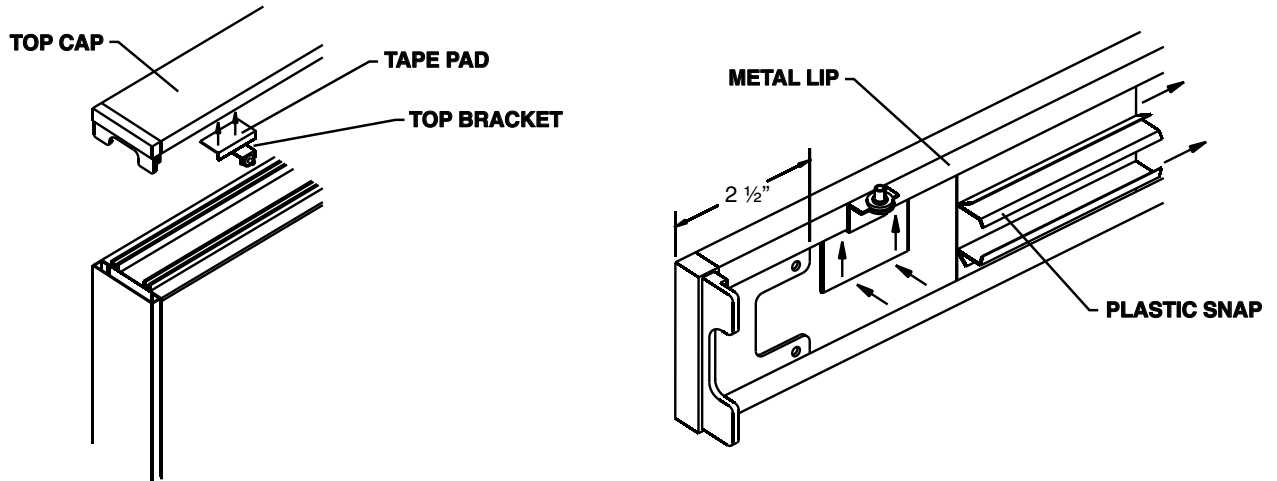


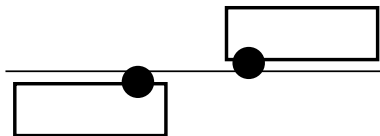
DOT-DASH[®] SIGNAGE / INSTALLATION

TOP OF PANEL MOUNT - HERMAN MILLER CANVAS/VIVO

Remove the top cap. The bracket can not be installed any closer than 2 1/2" from either end of the top cap. The plastic snap can slide to allow space for the sign bracket. Remove the release liner from the tape pad on the bracket. The bracket is inserted under and against the metal lip of the top cap, as shown, and is adhered to the bottom side of the top cap. Press firmly to assure total adhesion. Snap the top cap back on the panel.



The back half of the dot is attached to the bracket with a #8-32 x 5/8" flat head screw. A 3/32" allen wrench (provided) is required to loosen or tighten the screw. By rotating the dot with this screw loose, plaque can be positioned as shown:



The screw holding the back half of the dot to the bracket **must be firmly tightened** to hold the dot and the plaque in desired position.

Hold plaque against shoulder of dot and turn cap and washer tightly against plaque (rubber side of washer against plaque).

