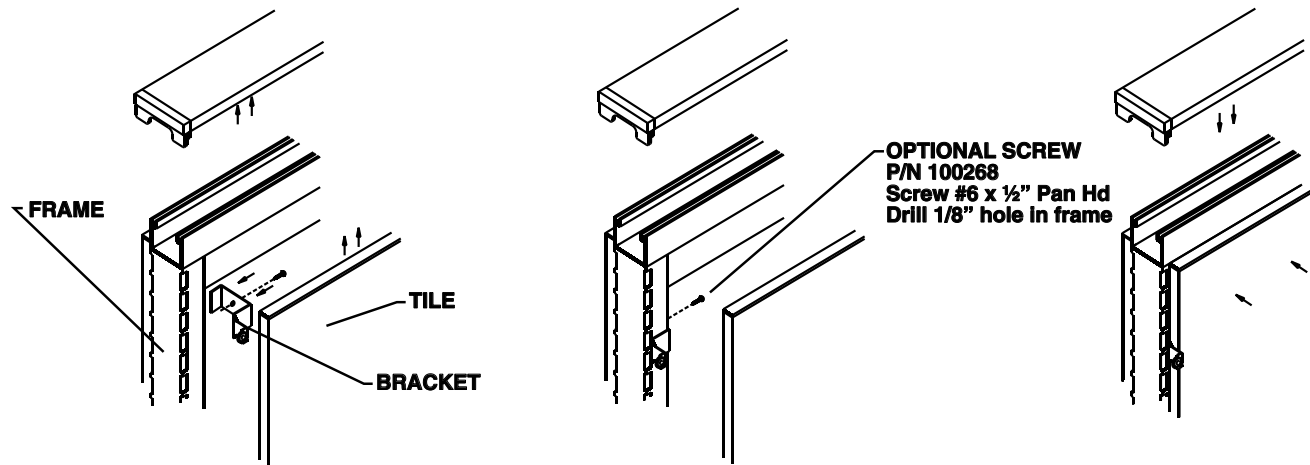


DOT-DASH[®] SIGNAGE / INSTALLATION

SIDE OF FRAME MOUNT - HERMAN MILLER CANVAS/VIVO

The bracket slides around the side member of the frame. The front tile must be slid up and out to install bracket. After the bracket is installed slide the tiles back in place, **NOTE:** The dot is shipped in a position that requires the screw holding back half of dot to the bracket to be loose and the dot turned to close the tile. Once the bracket is installed and the tile snapped back in place, this screw must be tightened again to hold the dot in position (see ADJUSTING THE DOT). The opening in the bracket is set at the factory, if for any reason the bracket seems too loose squeeze the opening by hand and re-install. Optional screw is provided for fixing the bracket in place.



ADJUSTING THE DOT

The back half of the dot is attached to the bracket with a #8-32 x 5/8" flat head screw. A 3/32" allen wrench (provided) is required to loosen or tighten the screw. By rotating the dot with this screw loose, plaque can be positioned as shown above.

The screw holding the back half of the dot to the bracket **must be firmly tightened** to hold the dot and the plaque in desired position.

Hold plaque against shoulder of dot and turn cap and washer tightly against plaque (rubber side of washer against plaque).

