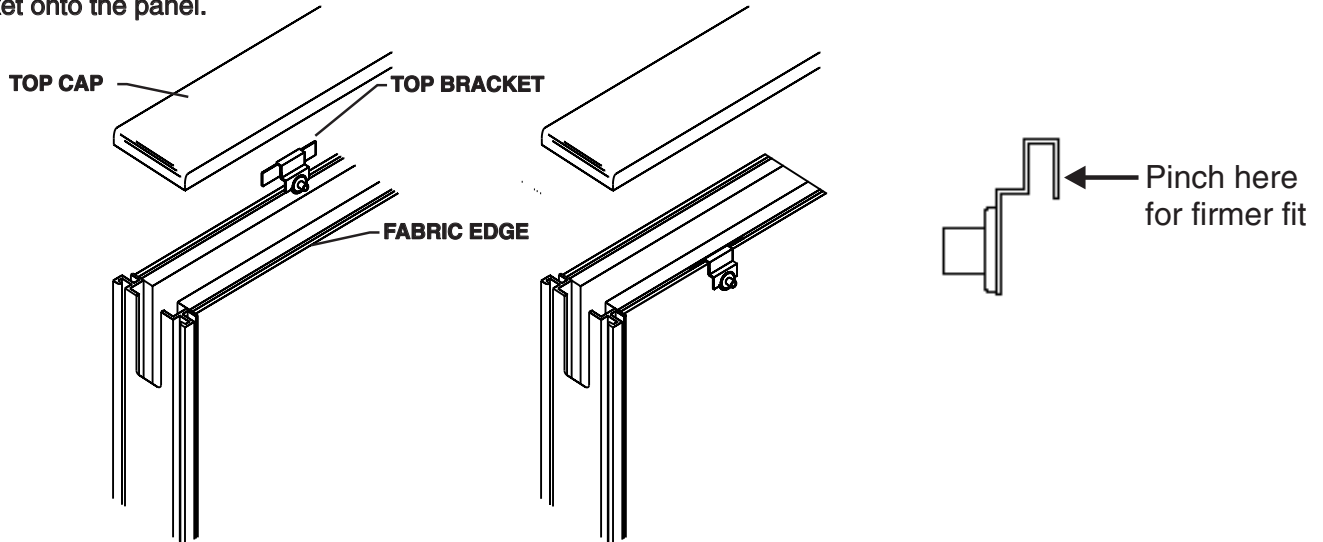
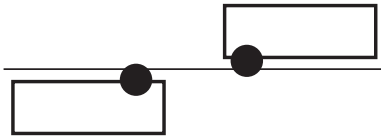


DOT-DASH[®] SIGNAGE / INSTALLATION
TOP OF PANEL MOUNT - HAWORTH PLACES

Remove top cap. Bracket slides over top, fabric edge of the panel under the top cap. The bracket can be located anywhere along the top of the panel except where the top cap mounting clips are located. If the bracket fits too loose pinch the bracket closed for a firm fit. Snap the top cap back on securely. The pressure of the top cap will lock the bracket onto the panel.



The back half of the dot is attached to the bracket with a #8-32 x 5/8" flat head screw. A 3/32" allen wrench (provided) is required to loosen or tighten the screw. By rotating the dot with this screw loose, plaque can be positioned as shown:



The screw holding the back half of the dot to the bracket **must be firmly tightened** to hold the dot and the plaque in desired position.

Hold plaque against shoulder of dot and turn cap and washer tightly against plaque (rubber side of washer against plaque).

