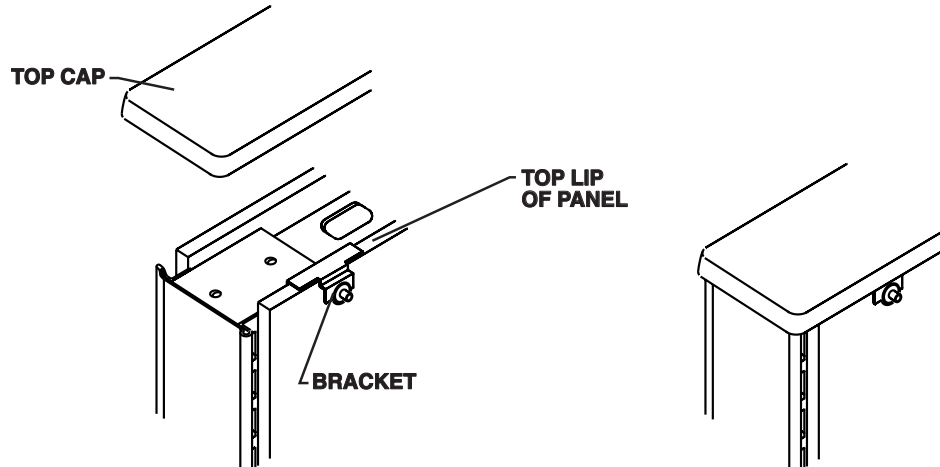
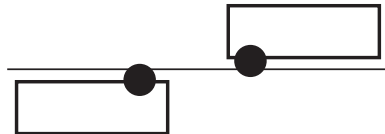


## DOT-DASH<sup>®</sup> SIGNAGE / INSTALLATION TOP OF PANEL MOUNT-AMERICAN SEATING/ACCESS

The bracket is installed under the top cap. To remove the top cap pull forward from the back side of the top cap while lifting the front side. the bracket mounts over the top lip of the panel as shown and can be positioned anywhere along the top from side to side. Snap the top cap back on the panel by reversing the procedure described for removal. The tension of the the top cap hold the bracket firmly in place.

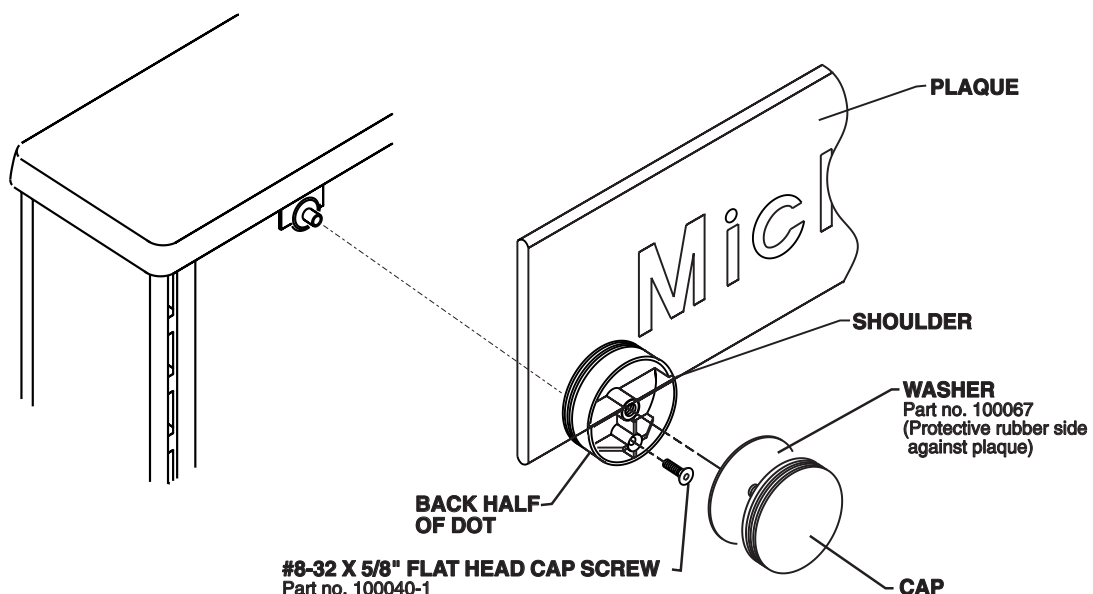


The back half of the dot is attached to the bracket with a #8-32 x 5/8" flat head screw. A 3/32" allen wrench (provided) is required to loosen or tighten the screw. By rotating the dot with this screw loose, plaque can be positioned as shown:



The screw holding the back half of the dot to the bracket **must be firmly tightened** to hold the dot and the plaque in desired position.

Hold plaque against shoulder of dot and turn cap and washer tightly against plaque (rubber side of washer against plaque).



**#8-32 X 5/8" FLAT HEAD CAP SCREW**  
Part no. 100040-1  
(requires 3/32" allen wrench.)  
**IMPORTANT:** Screw must be firmly tightened to hold Dot and Plaque in desired position.