

ALUMINUM GROUP OUTSERT[®] SIGNAGE CEILING GRID - INSTALLATION INSTRUCTION

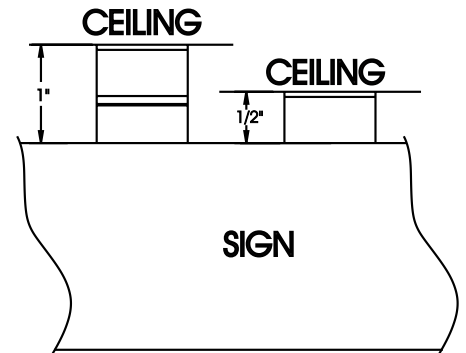
Remove trim plate at one end using a small Phillips screw driver.

The clear plastic grid brackets slide into the slot at the top of the aluminum module assembly. Brackets, as provided, position sign 1" down from the ceiling or can be scored with a knife and shortened just below the first rib to position the sign 1/2" from ceiling.

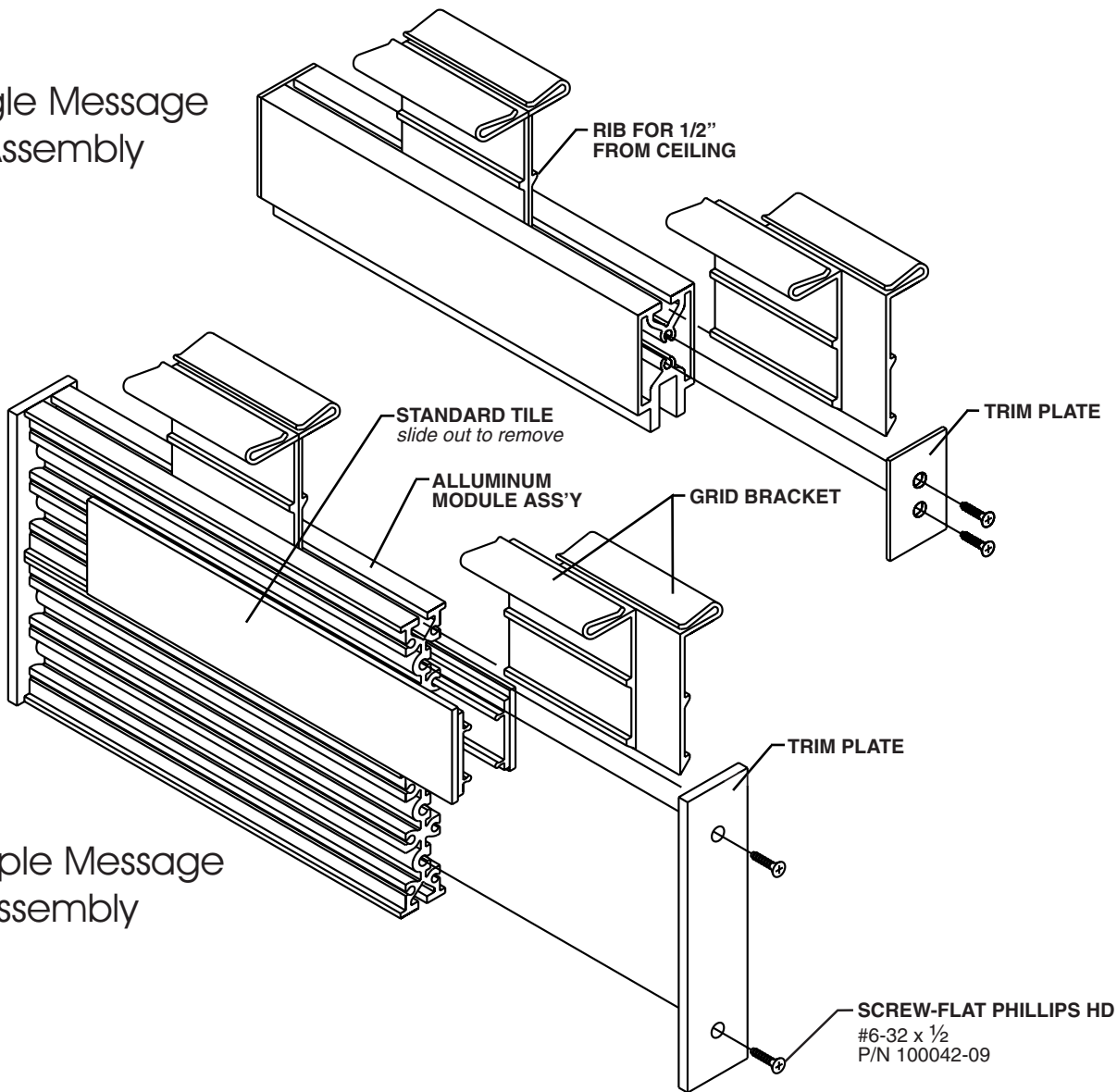
Assemble grid brackets onto the ceiling grid and then slide the sign onto the brackets.

Replace trim plate.

Brackets can be repositioned as necessary after the initial



Single Message Assembly



Multiple Message Assembly