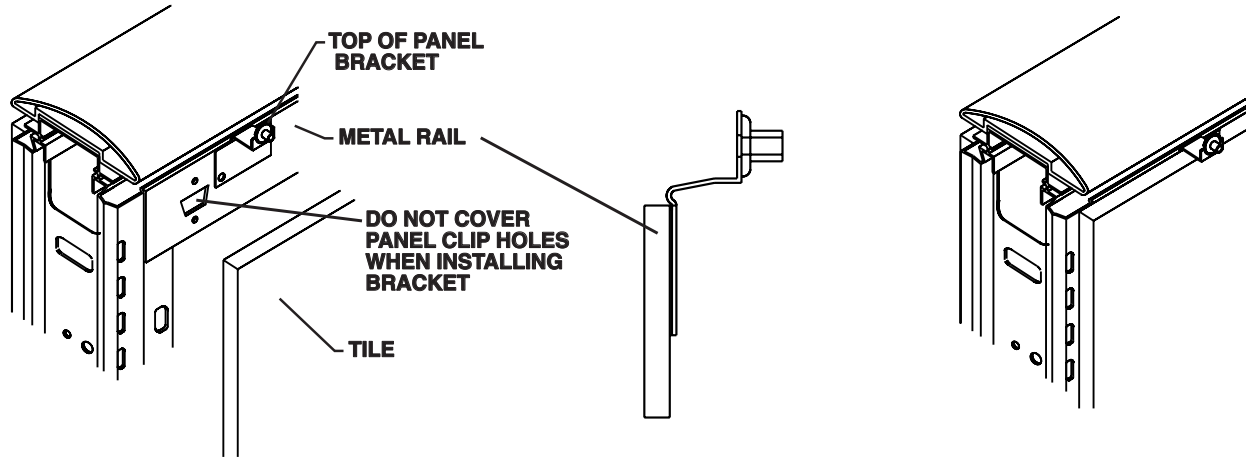


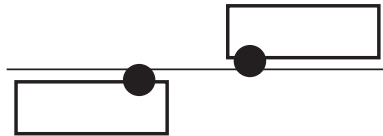
# DOT-DASH<sup>®</sup> SIGNAGE / INSTALLATION

## TOP OF PANEL MOUNT - ALLSTEEL TERRACE 3.4

The top tile must be snapped open at the top and removed . Remove the release liner from the tape pad on the back side of the bracket. The bracket is mounted flush with the metal rail directly under the top cap as shown. Press firmly to assure total adhesion. Snap the tile back on the panel.



The back half of the dot is attached to the bracket with a #8-32 x 5/8" flat head screw. A 3/32" allen wrench (provided) is required to loosen or tighten the screw. By rotating the dot with this screw loose, plaque can be positioned as shown:



The screw holding the back half of the dot to the bracket **must be firmly tightened** to hold the dot and the plaque in desired position.

Hold plaque against shoulder of dot and turn cap and washer tightly against plaque (rubber side of washer against plaque).

