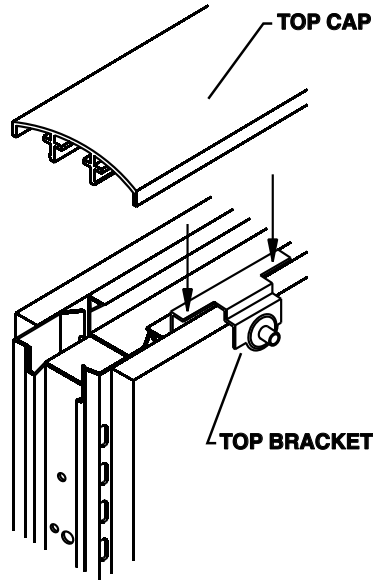


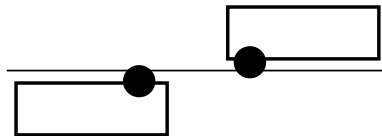
DOT-DASH[®] SIGNAGE / INSTALLATION

TOP OF PANEL MOUNT - ALLSTEEL TERRACE 2.6

Remove the top cap. Bracket slides over the top edge of the panel under the top cap as shown. The bracket can be located anywhere along the top of the panel. Snap the top cap back on the panel. The pressure of the top cap will lock the bracket onto the panel.

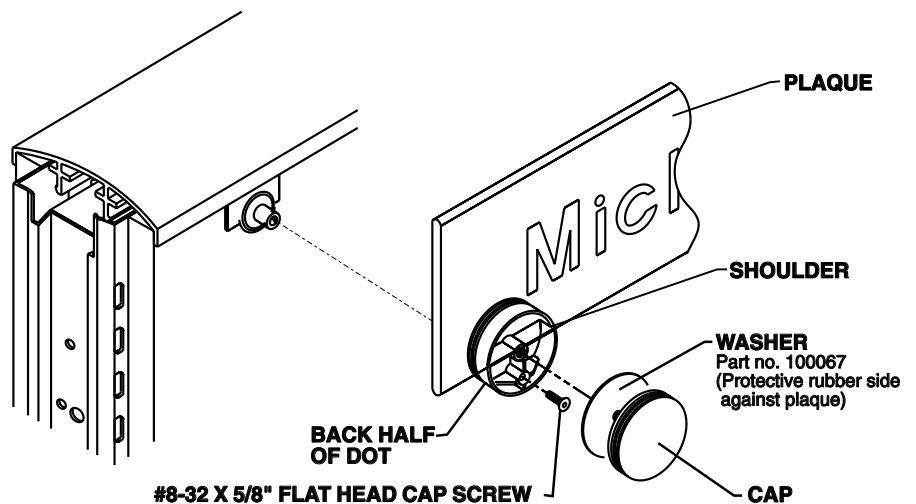


The back half of the dot is attached to the bracket with a #8-32 x 5/8" flat head screw. A 3/32" allen wrench (provided) is required to loosen or tighten the screw. By rotating the dot with this screw loose, plaque can be positioned as shown:



The screw holding the back half of the dot to the bracket **must be firmly tightened** to hold the dot and the plaque in desired position.

Hold plaque against shoulder of dot and turn cap and washer tightly against plaque (rubber side of washer against plaque).



#8-32 X 5/8" FLAT HEAD CAP SCREW
 Part no. 100040-1
 (requires 3/32" allen wrench.)
IMPORTANT: Screw must be firmly tightened
 to hold Dot and Plaque in desired position.